

ULYXE FAMILY SERIES

Ulyxe lasers, 6W@1064nm, belong to the category of DPSS Active Q-Switched lasers. This family is extremely compact (only 42cm, 16.5") but offers all of the most advanced technological concepts. The Ulyxe family provides the best price/performance ratio in the laser marking world. Thanks to its cost-effectiveness and competitive positioning, the Ulyxe family becomes the first choice in marking solutions even when compared with traditional marking techniques. Thanks to its extreme compactness, this laser family represents the ideal laser marking solution both in stand-alone configurations as well as in industrial production lines.

THE ALL-IN-ONE LASERS

The air cooled laser sources offer an ultra-compact design and includes the scanning head, digital control and monitoring functions. The outside cover on the units are equipped with a specifically designed high-tech case, available in different materials (polyurethane and metal) depending on different application requirements. The operator can easily interact and monitor the most important laser status and functions with an user friendly LCD/ touch screen control display.

CONFIGURATION

This compact laser family is available in 2 different configurations:

ULYXE

It perfectly combines compact dimensions with USB connection ease, and the user-friendly Ulyxe Editor software, specifically developed to offer all key marking functions. Ulyxe is available in polycarbonate case or metal case (Ulyxe PL).

ZEUX

It offers great compactness and full compatibility with the new marking platform (iMARKPCI board and Lighter software). Zeux offers an industrial design metal case.

FEATURES & BENEFITS

- Extremely compact design while offering all the most advanced technological concepts
- Best price/performance ratio in the laser marking world
- Air cooled with ultra-compact design
- Integrated scanning head, digital control and monitoring functions

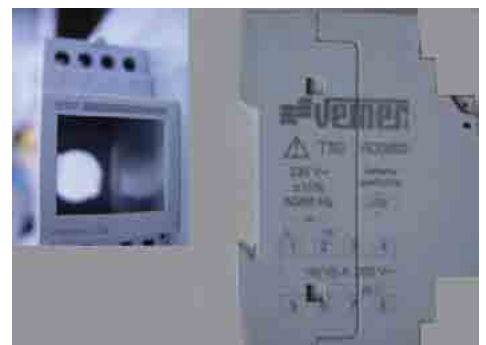


LASER MARKING

APPLICATIONS

This product series has been developed to satisfy to requirements of the following reference applications, in automotive, solar & electronics and healthcare industries among the others:

- Label Marking
 - DPM (Direct Part Marking)
 - Tool marking
 - Marking on surgical tools/devices
- Ulyxe family also matches applications in automated production lines



ULYXE AND ULYXE PL - 6W DPSS MARKER

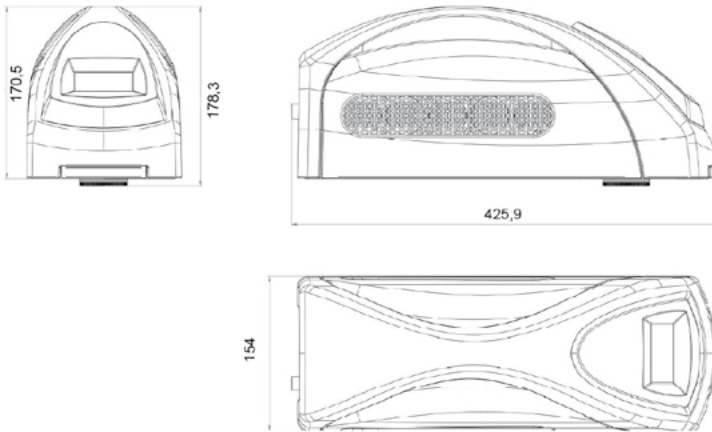
Wavelength	1064 nm		
Average Output Power (typical)	6.5W ± 5% 50kHz		
Repetition Rate Range	15 -200 kHz		
Pulse Width	20-25 ns@20kHz		
Max Pulse Energy (typical)	300uJ@15 kHz		
Aiming Beam	Class 2M Red Diode Laser; λ=635nm +/-5nm; 3mW Seccon red pointer for focussing		
Temperature Range	Operative 15°C to 35°C Storing -5 to +55 °C		
Cooling System	Air cooled		
Power Supply	24VDC/13A		
Laser Power Consumption	Typical 200W Maximum 300W		
Connectivity	USB		
Dimension & Weight	mm 425,9 x 154 x 170,5	kg 7,5 (ULYXE)	
	mm 410 x 145.6 x 123.5	kg 7,8 (ULYXE PL)	
EEC Rules compliance	2004/108/EEC: "Electromagnetic Compatibility" 2006/95/EEC: "Low Voltage"		
EU Standard compliance	EN 61000-6-4, EN 61000-6-2, EN60204-1, EN60825-1		

Objective F-Theta mm	63S	100S	160S	254S
Working distance (mm)	72	114	178	282
Working area (mm x mm)	35x35	50x50	100x100	170x170



S (small) > Ø = 47mm

- Other focal length available upon request



"ULYXE PL - Metal case"



"ULYXE - Plastic case"



ZEUX - 6W DPSS MARKER

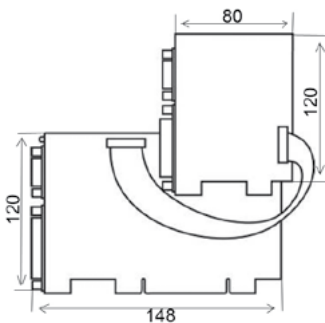
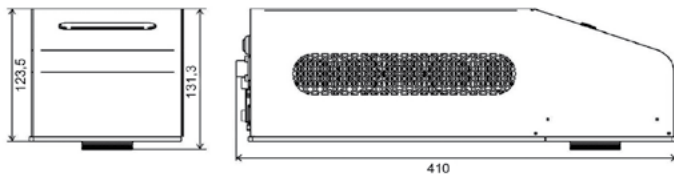
Wavelength	1064 nm
Average Output Power (typical)	6.5W ± 5% 50kHz
Repetition Rate Range	15 -200 kHz
Pulse Width	20-25 ns@20kHz
Max Pulse Energy (typical)	300uJ@15kHz
Aiming Beam	Class 2M Red Diode Laser; $\lambda=635\text{nm} \pm 5\text{nm}$; 3mW Second red pointer for focusing
Temperature Range	Operative 15°C to 35°C Storing -5 to +55 °C
Cooling System	Air cooled
Power Supply	24VDC/13A
Laser Power Consumption	Typical 200W Maximum 300W
Connectivity	PCI Express Slot
Dimension & Weight	Size mm Size mm 410 x 145.6 x 123.5 7,8 Kg
EEC Rules compliance	2004/108/EEC: "Electromagnetic Compatibility" 2006/95/EEC: "Low Voltage"
EU Standard compliance	EN 61000-6-4, EN 61000-6-2, EN60204-1, EN60825-1

Objective F-Theta mm	63S	100S	160S	254S
Working distance (mm)	72	114	178	282
Working area (mm x mm)	35x35	50x50	100x100	170x170



S (small) > $\varnothing = 47\text{mm}$

- Others focal lenses on request



"ZEUX + MARKING KIT"

ACCESSORIES

The following accessories are available to simplify installation and optimize product performance:

- Control box : plug & play console for Ulyxe family installation and configuration. The console is available in two models: Basic and Evo. The Evo model provides external LCD display to monitor laser parameter during laser functioning.
- Power supply: mm 61x82x165
- Plastic transportation case

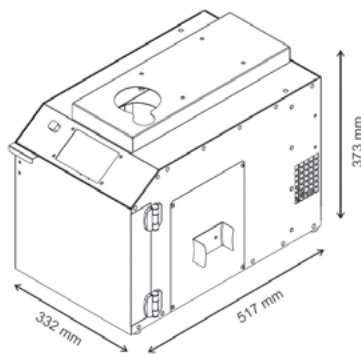
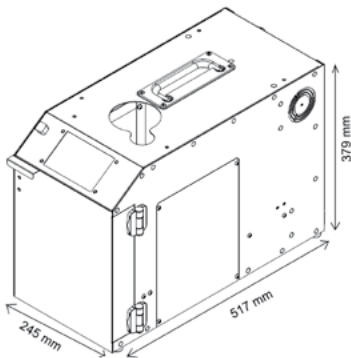


SAFETY BOX

Stand alone safety box available in two sizes ideal for a prompt desktop use of your Ulyxe or Ulyxe PL. Safety boxes are equipped with power supply, connection and power cables.

PORTABLE: mm245x517x379
Portable safety –box also allows to easily transport the Ulyxe.

STANDARD: mm332x517x373



DATALOGIC AUTOMATION

Headquarters

Via Lavino, 265
40050 Monte San Pietro
Bologna - Italy
Tel. +39 051/6765611
Fax +39 051/6759324
info.automation.it@datalogic.com

Laser Marking BU

Via Dell'Industria 20
21018 Sesto Calende
Varese - Italy
Tel. +39 0331/9180601
Fax +39 0331/9180801
info-dla-lasermarking@datalogic.com

Laser Marking BU

Via Le Gorrey, 10
11020 Donnas
Aosta - Italy
Tel. +39 0125/8128201
Fax +39 0125/8128401
info-dla-lasermarking@datalogic.com



The company endeavours to continuously improve and renew its products; for this reason the technical data and contents of this catalogue may undergo variations without prior notice. For correct installation and use, the company can guarantee only the data indicated in the instruction manual supplied with the products.

All laser sources described in this product guide are Class 4 laser sources. Laser interaction with organic or inorganic material can cause TOXIC FUMES/PARTICLES. The OEM laser components described in this product guide is for sale solely to qualified manufacturers, who shall provide interlocks, indicators and other appropriate safety features in full compliance with applicable national and local regulations.